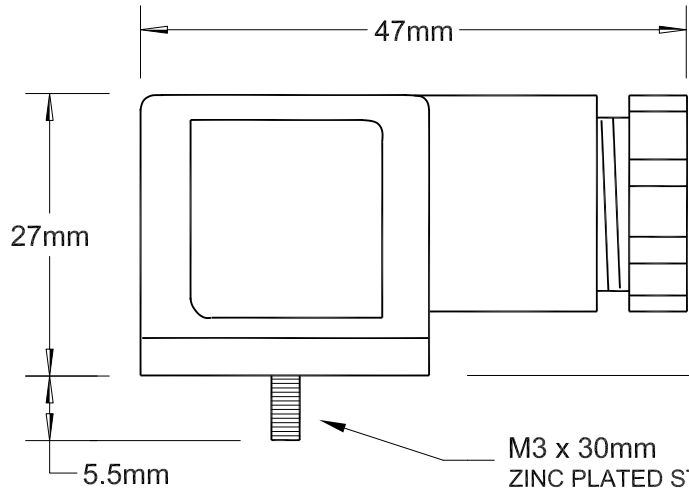


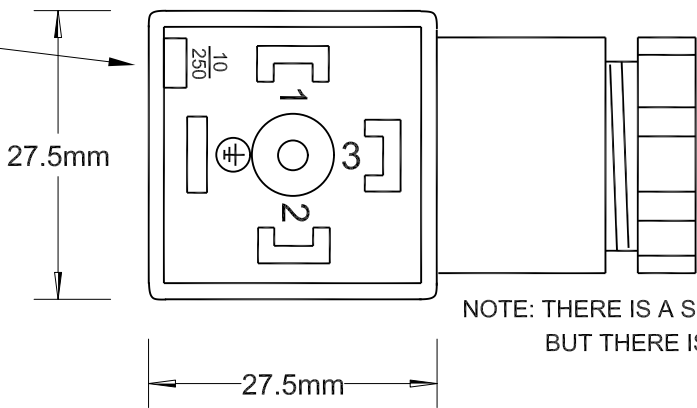
TRANSLUCENT HOUSING



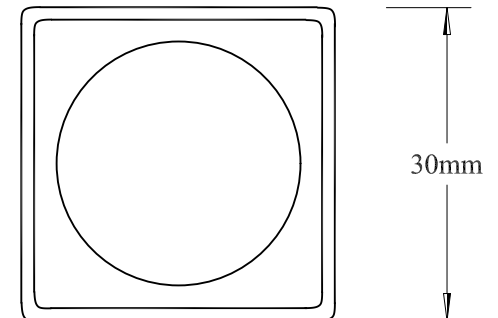
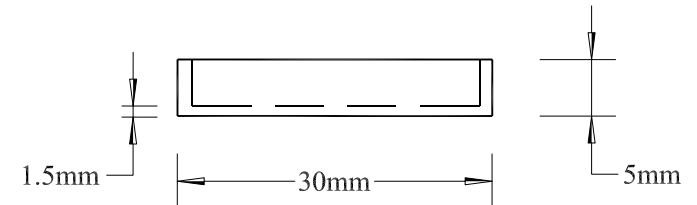
PG11 CORD GRIP
WITH 19mm HEX NUT
GRIP RANGE 0.310" TO 0.400"

NOTE: OVERALL HEIGHT
WITH GASKET 28.5MM

SMALL FLAT
SCREW DRIVER SLOT
FOR REMOVING
TERMINAL BLOCK
ONCE CENTRAL SCREW
IS REMOVED



NOTE: THERE IS A SLOT FOR POLE #3
BUT THERE IS NO TERMINAL



NBR PROFILE GASKET
(BLACK)

NUMBER OF POLES = 2 +GRD
CONTACT SPACING: 18mm
VOLTAGE: 12 to 24V (AC or DC)
CONTACT RESISTANCE: 4 Ohm
HOUSING MATERIAL: POLYAMIDE NYLON GLASS REINFORCED
NOMINAL CURRENT: 6 AMP (NOT INTERRUPTING CURRENT)
OPERATING TEMPERATURE: -40C TO +90C
PROTECTION CLASS: IP65 (WHEN PROPERLY INSTALLED)
INSULATION CLASS: VDE 0110-1/89
EN175301-803 (EUROPEAN NORM), ISO 4400
DIN 43650-A (GERMAN STANDARD)
RoHS COMPLIANT
CENTRAL SCREW & GASKET INCLUDED



20 WALTON AVE.
STRUTHERS, OHIO 44471

DIN 43650-A (EN175301-803) LIGHTED CONNECTOR WITH
12 to 24V LED, 2+GRD, PG11 CORD GRIP

TITLE

2211-3301

| | | | |
|-----------------------|-----------|---------------------|------------------------|
| SIZE A | CAGE CODE | DWG NO 2211-3301 | REV |
| SCALE NOT TO SCALE | | 1-26-12 TS | SHEET 1 of 2 |