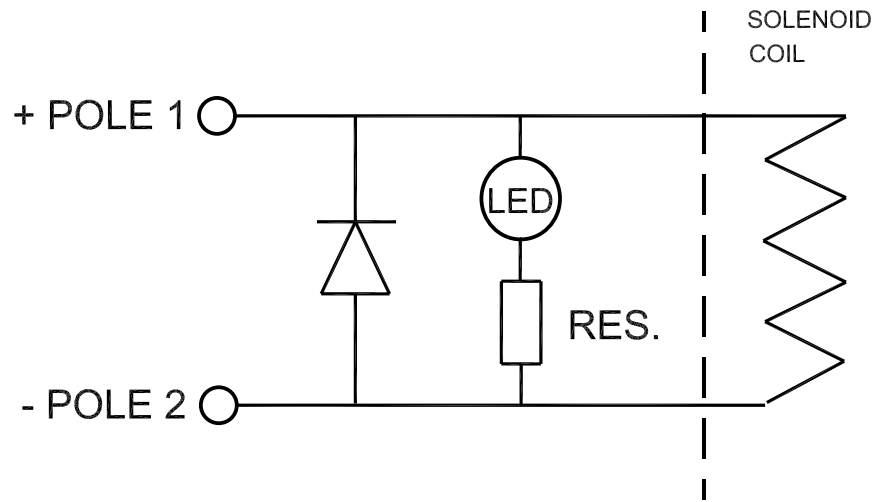
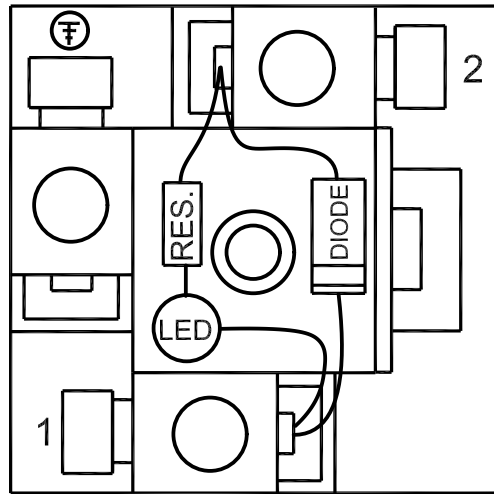


# ENLARGED VIEW OF TERMINAL BLOCK



# CIRCUIT

### NOTES:

- + POS. POLE 1, - NEG. POLE 2
- 1N4007 1 AMP DIODE
- 12 TO 24 VDC (VDC ONLY)
- LED COLOR: RED



20 WALTON AVE.  
STRUTHERS, OHIO 44471

DIN 43650-A (EN175301-803) LIGHTED CONNECTOR WITH LED & "FLYBACK" DIODE, 2+GRD, PG9 CORD GRIP

TITLE

## 2211-3311 CIRCUIT

SIZE	CAGE CODE	DWG NO	REV
A		2211-3311 CIRCUIT	
SCALE		5-23-12 TS	SHEET 2 OF 2
NOT TO SCALE			