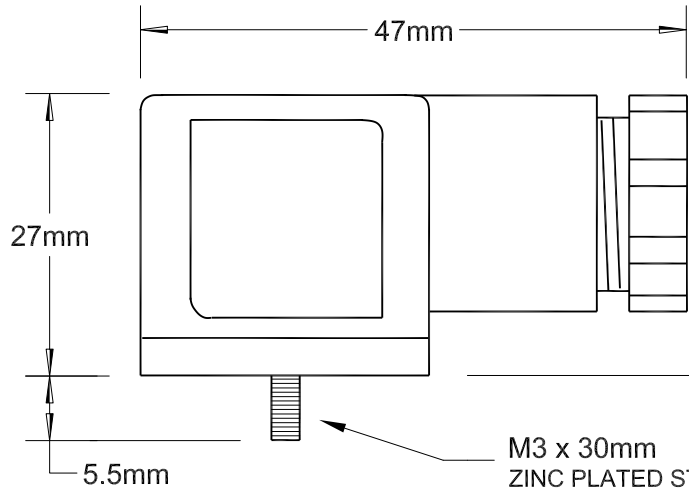


TRANSLUCENT HOUSING

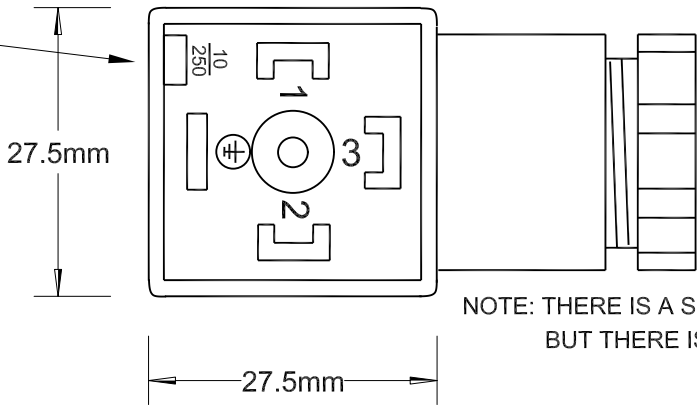
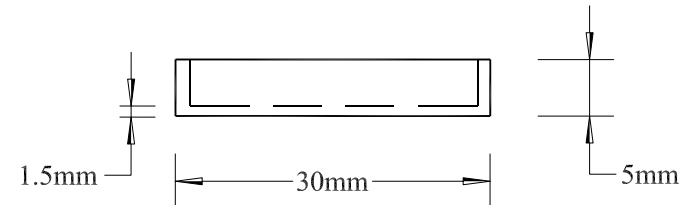


SMALL FLAT SCREW DRIVER SLOT FOR REMOVING TERMINAL BLOCK ONCE CENTRAL SCREW IS REMOVED

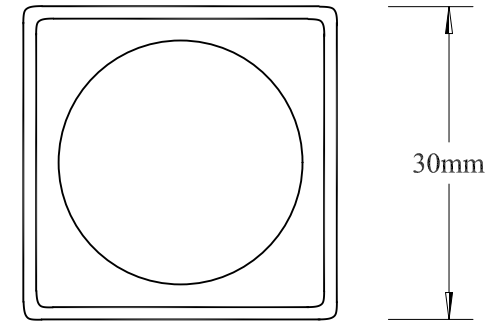
PG11 CORD GRIP WITH 19mm HEX NUT GRIP RANGE 0.310" TO 0.400"

NOTE: OVERALL HEIGHT WITH GASKET 28.5MM

M3 x 30mm ZINC PLATED STEEL SCREW



NOTE: THERE IS A SLOT FOR POLE #3 BUT THERE IS NO TERMINAL



NBR PROFILE GASKET (BLACK)

NUMBER OF POLES = 2 +GRD
 CONTACT SPACING: 18mm
 VOLTAGE: 12 - 24 VDC (VDC ONLY)
 CONTACT RESISTANCE: 4 Ohm
 HOUSING MATERIAL: POLYAMIDE NYLON GLASS REINFORCED
 NOMINAL CURRENT: 6 AMP (NOT INTERRUPTING CURRENT)
 OPERATING TEMPERATURE: -40C TO +90C
 PROTECTION CLASS: IP65 (WHEN PROPERLY INSTALLED)
 INSULATION CLASS: VDE 0110-1/89
 EN175301-803 (EUROPEAN NORM), ISO 4400
 DIN 43650-A (GERMAN STANDARD)
 RoHS COMPLIANT
 CENTRAL SCREW & GASKET INCLUDED



20 WALTON AVE.
 STRUTHERS, OHIO 44471

DIN 43650-A (EN175301-803) LIGHTED CONNECTOR WITH LED & "FLYBACK" DIODE, 2+GRD, PG11 CORD GRIP

TITLE

2211-3311

SIZE	CAGE CODE	DWG NO	REV
A		2211-3311	
SCALE		SHEET	
NOT TO SCALE		1-26-12 TS	1 of 2