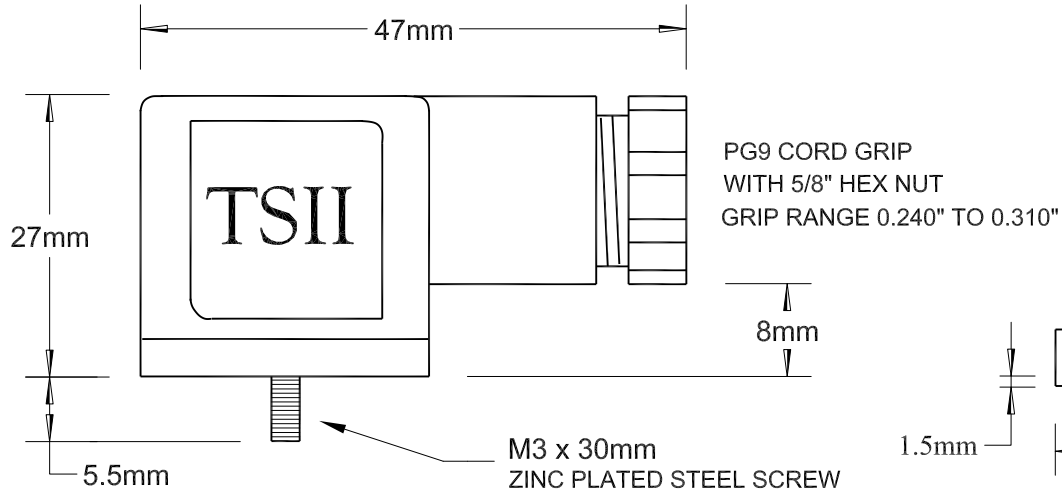
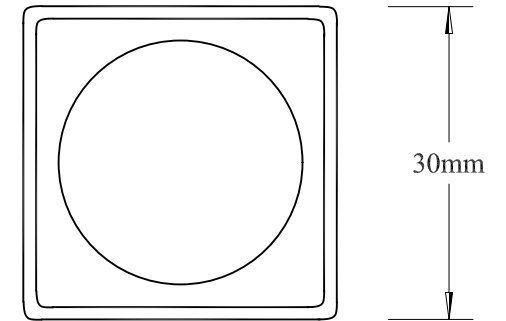
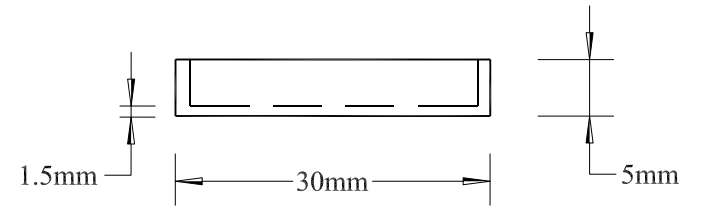
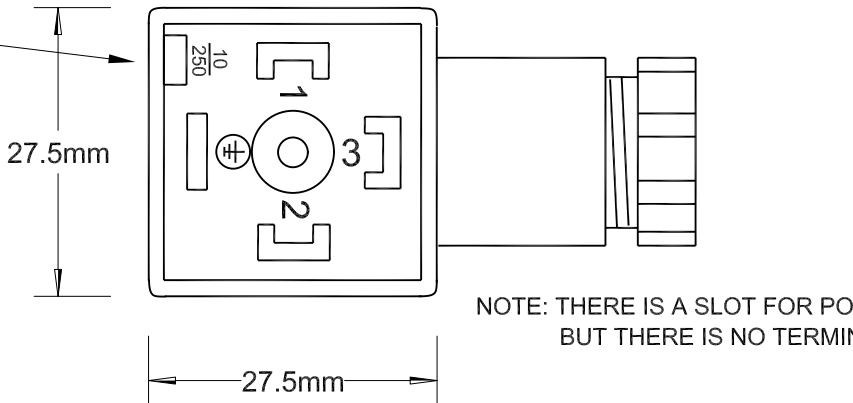


TRANSLUCENT HOUSING



NOTE: OVERALL HEIGHT WITH GASKET 28.5MM

SMALL FLAT SCREW DRIVER SLOT FOR REMOVING TERMINAL BLOCK ONCE CENTRAL SCREW IS REMOVED



NBR PROFILE GASKET (BLACK)

NUMBER OF POLES = 2 +GRD

CONTACT SPACING: 18mm

VOLTAGE: 120V

CIRCUIT: SEE PAGE 2

CONTACT RESISTANCE: 4 Ohm

HOUSING MATERIAL: POLYAMIDE NYLON GLASS REINFORCED

NOMINAL CURRENT: 6 AMP (NOT INTERRUPTING CURRENT)

OPERATING TEMPERATURE: -40C TO +90C

PROTECTION CLASS: IP65 (WHEN PROPERLY INSTALLED)

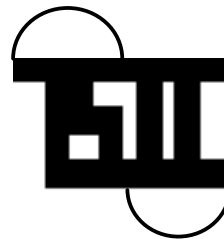
INSULATION CLASS: VDE 0110-1/89

EN175301-803 (EUROPEAN NORM), ISO 4400

DIN 43650-A (GERMAN STANDARD)

RoHS COMPLIANT

CENTRAL SCREW & GASKET INCLUDED



DIN 43650-A (EN175301-803) LIGHTED CONNECTOR WITH 120V LED & SURGE VARISTOR, 2+GRD, PG9 CORD GRIP

TITLE

2291-3741

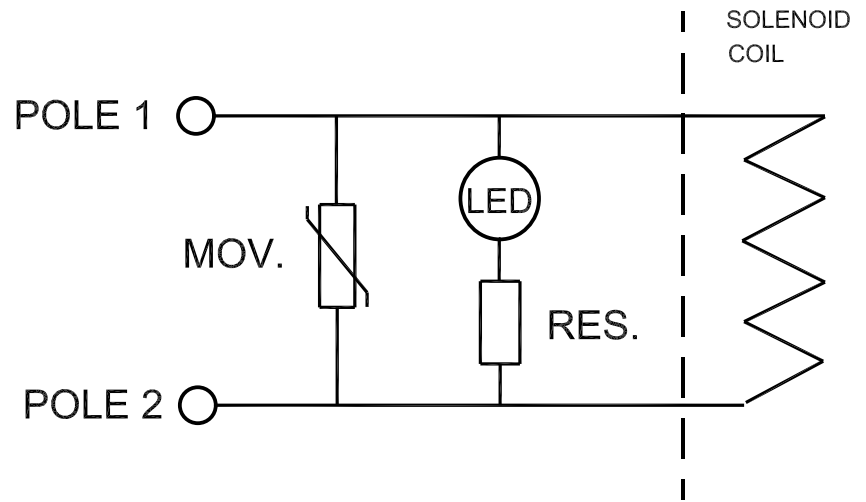
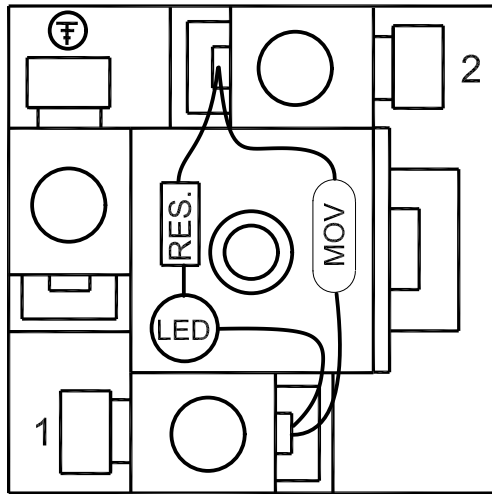
SIZE	CAGE CODE	DWG NO	REV
A		2291-3741	
SCALE		SHEET	
NOT TO SCALE		1 OF 2	

20 WALTON AVE.

STRUTHERS, OHIO 44471

5-23-12 TS

ENLARGED VIEW OF TERMINAL BLOCK

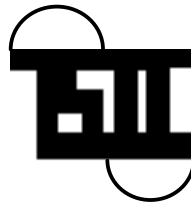


CIRCUIT

NOTES:

120V (AC OR DC)

MOV. (METAL OXIDE VARISTOR)



DIN 43650-A (EN175301-803) LIGHTED CONNECTOR WITH
120V LED & SURGE VARISTOR, 2+GRD, PG9 CORD GRIP

TITLE

2291-3331 CIRCUIT

SIZE	CAGE CODE	DWG NO	REV
A		2291-3331 CIRCUIT	
SCALE		5-23-12 TS	SHEET
NOT TO SCALE			2 OF 2

20 WALTON AVE.

STRUTHERS, OHIO 44471