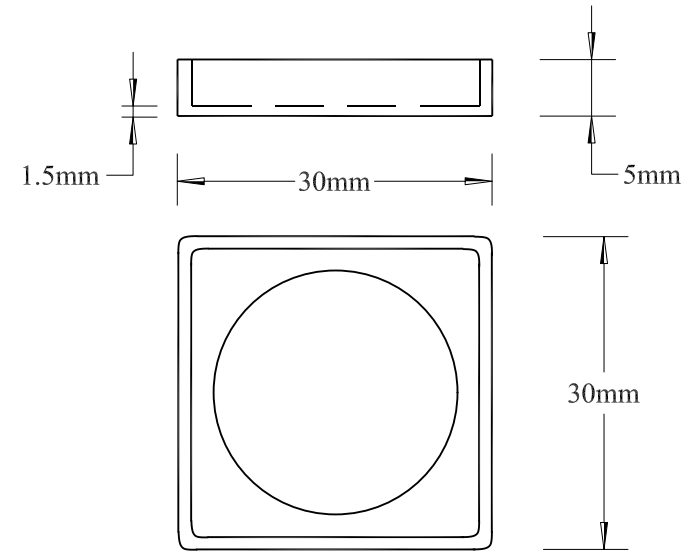


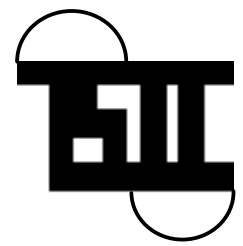
NOTE: OVERALL HEIGHT WITH GASKET 28.5MM



NBR PROFILE GASKET (BLACK)

SMALL FLAT SCREW DRIVER SLOT FOR REMOVING TERMINAL BLOCK ONCE CENTRAL SCREW IS REMOVED

NUMBER OF POLES = 3 +GRD
 CONTACT SPACING: 18mm
 VOLTAGE: 250VAC / 300VDC
 CONTACT RESISTANCE: 4 Ohm
 HOUSING MATERIAL: POLYAMIDE NYLON GLASS REINFORCED
 NOMINAL CURRENT: 10 AMP (NOT FOR INTERRUPTING CURRENT)
 OPERATING TEMPERATURE: -40C TO +90C
 PROTECTION CLASS: IP65 (WHEN PROPERLY INSTALLED)
 INSULATION CLASS: VDE 0110-1/89
 EN175301-803 (EUROPEAN NORM), ISO 4400
 DIN 43650-A (GERMAN STANDARD)
 RoHS COMPLIANT
 CENTRAL SCREW & GASKET INCLUDED



20 WALTON AVE.
 STRUTHERS, OHIO 44471

DIN 43650-A (EN175301-803) STANDARD BLACK CONNECTOR
 3+GRD, PG9 CORD GRIP

TITLE
2391-1001

SIZE A	CAGE CODE	DWG NO 2291-1001	REV
SCALE NOT TO SCALE	1-26-12 TS		SHEET 1