
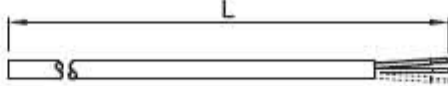

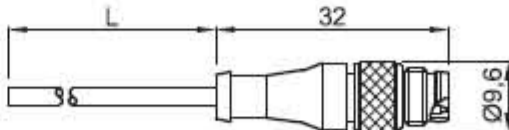
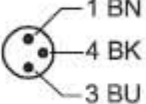
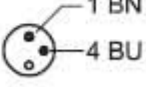

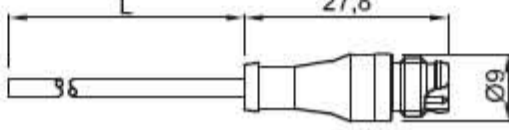
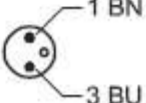

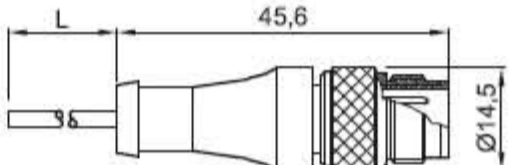
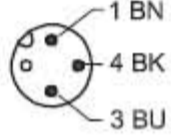




# MAGNETIC SWITCHES



? choose your product in three easy steps

**A + B + C = F0000 00 3000**  
(part number composition example)

connector type				<b>B</b>
no connector				00
RELM M8 straight 24V suitable for distribution box			 	01
REOM M8 straight 110V				02
RDLM M12 straight 110V suitable for distribution box				12
				21

part number

## NOTE

- preferred items
  -  not possible product
  -  only on request
- |            |           |            |
|------------|-----------|------------|
| BN = brown | BU = blue | BK = black |
|------------|-----------|------------|

## cable length





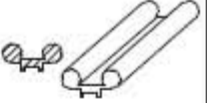





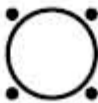
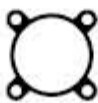

300 mm	0300
600 mm	0600
3000 mm	3000
6000 mm	6000
10000 mm	MT10
15000 mm	MT15

part number

## C

### clamps and brackets

### accessories

 FA 21	 FA 44	 FA 55	 FA 43	 FA 01
 FA 23	 FA 45			
 FA 45	 FA 49			
↓	↓	↓	↓	
 round	 tie-rod	 mickey	 rail	